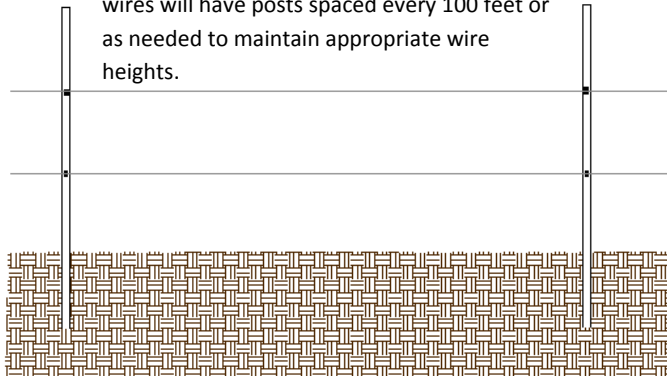
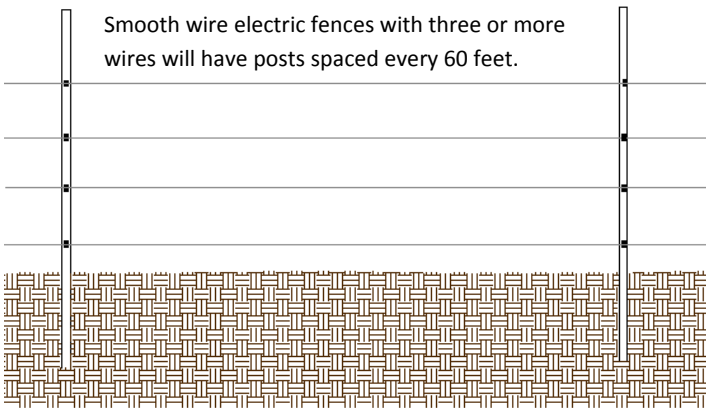


Smooth wire electric fences with one or two wires will have posts spaced every 100 feet or as needed to maintain appropriate wire heights.



The height of one-wire fences should be 2/3 of the shoulder height of the grazing animal or where the nose of the animal touches the wire when the head is extended (32-36 inches).

Smooth wire electric fences with three or more wires will have posts spaced every 60 feet.



Multiple wire electric fences should have the top wire 40-44 inches.

Wire shall be 12 ½ gauge smooth high tensile wire with 170,000/180,000 psi for hand-tying or up to 200,000 if using crimps instead of tying.

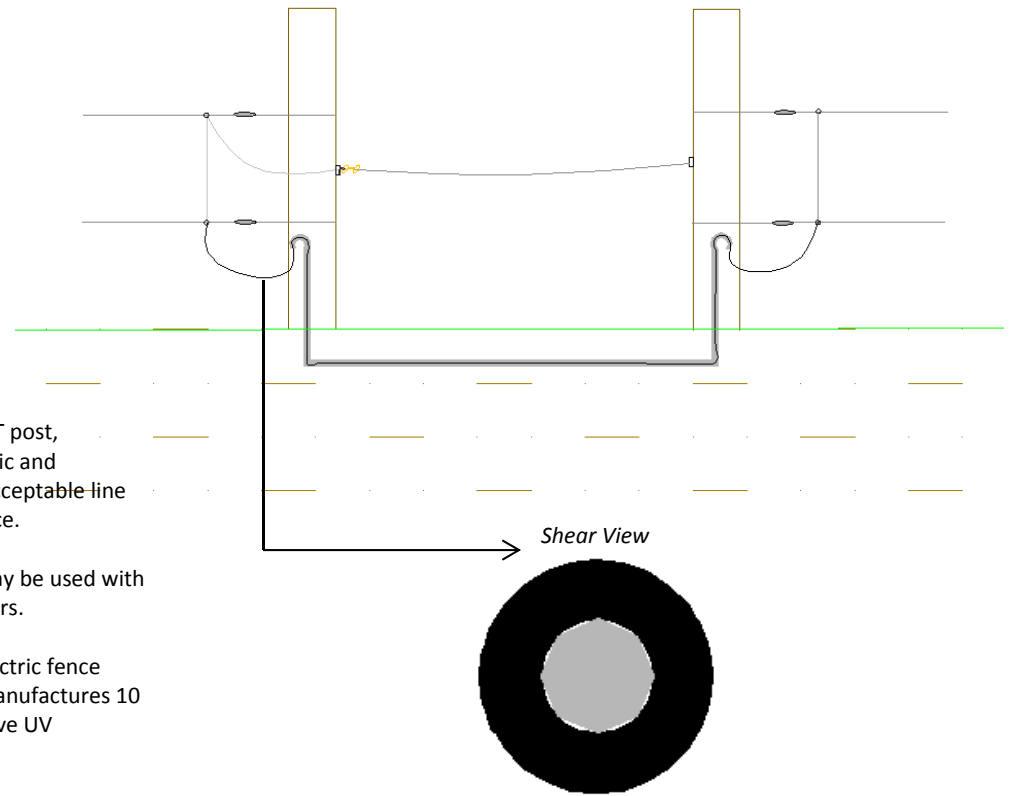
Fiberglass, fiberglass T post, eucalyptus, rigid plastic and composite post are acceptable line post with electric fence.

Steel posts or rods may be used with UV protected insulators.

All non-traditional electric fence post should have a manufactures 10 year warranty and have UV protection.

Do not use "step-in" post for permanent electric fence.

| Electric Fence Line Post Specifications | | |
|---|--------------|---|
| Type of Post | Minimum Size | Minimum Depth |
| Wood | 3" | 24" |
| Fiberglass | 3/8" | 16" |
| Fiberglass T Post | 1-1/2" | 16" |
| Composite, Plastic Post | 1-1/8" | 16" |
| Steel T Post | 1-1/4 lbs/ft | Driven to at least the top of the anchor plate. |



All underground wire installations must be double insulated, molded, high tensile strength steel 12 ½ gauge or larger wire.